

Assembly Instructions: 8106-SF (Torbellino)

For Customer Service, please contact the place of purchase.

IMPORTANT:

- ALL INSTALLATION WORK SHOULD BE DONE BY ACCREDITED PROFESSIONAL.
- SHUT OFF POWER SUPPLY AT FUSE OR CIRCUIT BREAKER!
- USE ONLY THE SPECIFIED BULBS. DO NOT EXCEED THE MAXIMUM WATTAGE!

Please note that this fixture can be installed as a semi-flush or as a pendant, please decide how you would like the fixture to be installed and refer to the related instructions, and includes two canopies (D and R).

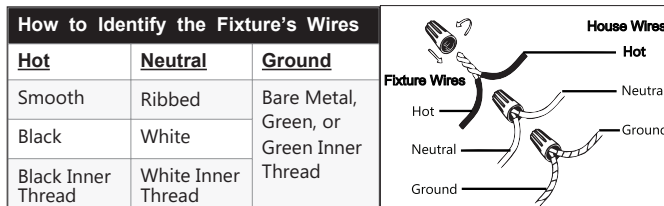
SEMI-FLUSH INSTALLATION - PREPARING FOR INSTALLATION

Please decide how you would like to install the fixture and choose the appropriate canopy and instructions. Canopy (R) has two small holes and one hole in the center. This canopy is used for semi-flush installation. Canopy (D) has a large hole in the center. This canopy is used for pendant installation. For pendant installation, flip the page and follow the instructions. Remove all of the contents from the carton. See the important notes above. Shut off the power at the circuit breaker and completely remove the old fixture from the ceiling, including the old mounting strap.

1. Mounting strap (B) contains two sets of threaded holes. Two mounting screws (A) should be attached to mounting strap (B). You may need to tighten nuts (C) that hold screws (A) in place.
2. Place mounting strap (B) over the junction box so that mounting screws (A) are vertical, and in alignment with the hole locations on the fixture's canopy (R). Secure mounting strap (B) to the junction box with mounting screws (D) and a screwdriver. Tighten the screws securely.

CONNECTING THE WIRES

3. Have an assistant support the fixture weight while completing the wiring. Cut away excess wire. Attach the fixture's wires to the house wires which were pulled earlier from the junction box through the mounting strap (B). Connect black to black (transparent wire with black inner thread or smooth); white to white (transparent wire with white inner thread or ribbed); ground to ground (green, transparent wire with green inner thread, or copper). Twist the ends of the wire pairs together, and then twist on a wire connector. Make sure all twists are in the same direction. If there is no ground wire (green or copper) coming from the junction box, locate ground screw (E) on the mounting strap and wrap the fixture's ground wire around the green ground screw (E). Use a screwdriver to secure ground screw (E) onto the mounting bracket. Tuck all wires neatly into the junction box.



FINISHING THE INSTALLATION

4. Place the circular rim (I) over the glass shade (L).
5. Take threaded rod (H) and screw into fixture at post (F). Secure in place with hex nut (G).
6. Attach the metal sleeve (J) and the cap (K) and place over threaded rod (H). At least 1/2" of threaded rod should be exposed above the metal sleeve.

Install light bulbs (not provided) into sockets (M) in accordance with the fixture's specifications. Do not exceed maximum recommended wattage.

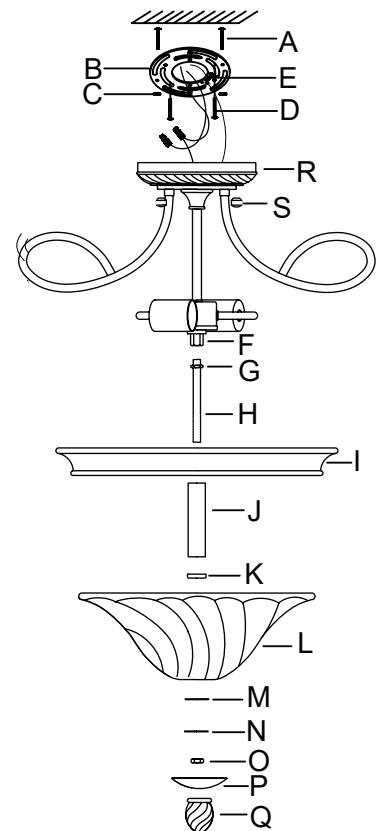
7. Place the glass shade (L) over the threaded rod (H) inside of the metal sleeve (J). This should protrude through the bottom hole of the glass shade (L).
8. Slide the rubber washer (M), metal washer (N), and hex nut (O) in that order onto the bottom of the cap (K) on the metal sleeve (J) covering threaded rod (H).
9. Slide bottom cap (P) over cap (K) and thread finial (Q) until tight.

Your installation is complete. Turn on the power and test the fixture.

CLEANING TIPS

Treat the fixture gently! Regular cleaning will reduce the need for deep cleaning. For regular cleaning, turn off the light and wipe down the fixture with a clean lint-free cotton or microfiber cloth. Never spray cleaner directly onto the fixture. For deep cleaning, turn off the light and remove the glass prior to cleaning. Hand wash glass with warm water and mild detergent. Dry with a lint-free or microfiber cloth.

SEMI-FLUSH INSTALLATION



Assembly Instructions: 8106-SF (Torbellino)

For Customer Service, please contact the place of purchase.

IMPORTANT:

- ALL INSTALLATION WORK SHOULD BE DONE BY ACCREDITED PROFESSIONAL.
- SHUT OFF POWER SUPPLY AT FUSE OR CIRCUIT BREAKER!
- USE ONLY THE SPECIFIED BULBS. DO NOT EXCEED THE MAXIMUM WATTAGE!

Please note that this fixture can be installed as a semi-flush or as a pendant, please decide how you would like the fixture to be installed and refer to the related instructions. and includes two canopies (D and R).

PENDANT INSTALLATION - PREPARING FOR INSTALLATION

Please decide how you would like to install the fixture and choose the appropriate canopy and instructions. Canopy (D) has a large hole in the center. This canopy is used for pendant installation.

Canopy (R) has two small holes and one hole in the center. This canopy is used for semi-flush installation. For semi-flush installation, flip the page and follow the instructions. Remove all of the contents from the carton. See the important notes above. Shut off the power at the circuit breaker and completely remove the old fixture from the ceiling, including the old mounting strap.

1. From the parts bag remove the mounting strap assembly. One end of nipple (C) should be attached to mounting strap (A) with washer and hex nut in place. The other end should have canopy loop (F) attached. Attach mounting strap (A) to the junction box using mounting screws (B) and a screwdriver. Tighten securely. Unscrew canopy loop collar (I) from canopy loop (F). Pass canopy (D) over the mounted canopy loop to test the height. Approximately half of the canopy loop's exterior threads should be exposed, and the canopy loop collar should fit snugly onto the canopy loop. Remove canopy (D) and adjust the height of nipple (C) and canopy loop (F) until the desired height is reached.

ASSEMBLING THE FIXTURE

2. Measure to determine the desired hanging height of the fixture. If necessary, remove excess chain using chain pliers. To lengthen the fixture, add additional chain. If additional chain is needed, contact the place of purchase to order. Attach chain connectors (G) to each end of the chain (H). Attach one end of the chain with chain connector (G) to the canopy loop (F) and attach the remaining end of the chain with chain connector to the top loop (J). Close the chain connectors to secure. Attach top loop (J) to the top of the fixture body (K). Feed the fixture wires through the top loop (J) up the chain (every three links or so). Feed fixture wires through the canopy loop (F), canopy loop collar (I), and canopy (D). Trim the wires after adding at least 8 to 10 inches of wire to the desired length. Slide the canopy down the chain.

CONNECTING THE WIRES

3. Have an assistant support the weight of the fixture while completing the wiring. Attach the fixture's wires to the house wires which were pulled earlier from the junction box through the mounting strap (A). Connect black to black (transparent wire with black inner thread or smooth); white to white (transparent wire with white inner thread or ribbed); ground to ground (green, transparent wire with green inner thread, or copper). Twist the ends of the wire pairs together, and then twist on a wire connector. Make sure all twists are in the same direction. If there is no ground wire (green or copper) coming from the junction box, locate ground screw (E) on the mounting strap and wrap the fixture's ground wire around the green ground screw (E). Use a screwdriver to secure ground screw (E) onto the mounting bracket. Tuck all wires neatly into the junction box.

FINISHING THE INSTALLATION

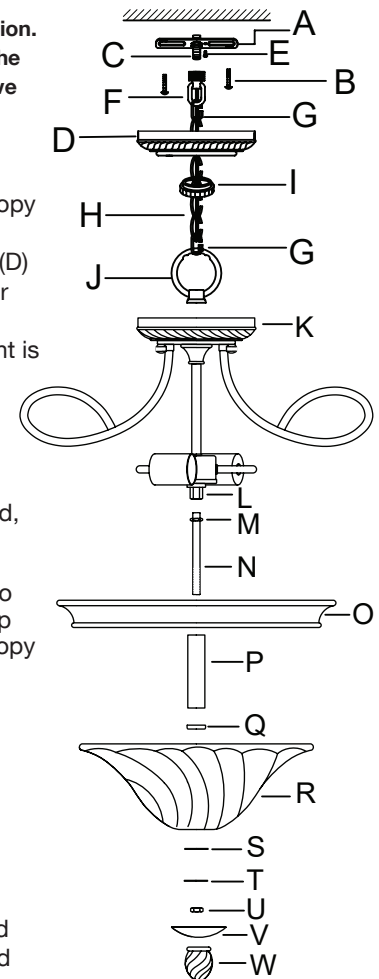
4. Place the circular rim (O) over the glass shade (R). Take the threaded rod (N) and screw into fixture at post (L). Secure in place with hex nut (M). Attach the metal sleeve (P) and cap (Q) and cover onto threaded rod (N), there should be at least 1/2" of threaded rod exposed above the metal sleeve.

Install light bulbs (not provided) in accordance with the fixture's specifications. Do not exceed maximum recommended wattage.

5. Place the glass shade (R), over the metal sleeve (P) and cap (Q) which covers threaded rod (N). This should protrude through the bottom hole of the glass shade (R). Slide the rubber washer (S), metal washer (T), and hex nut (U) in that order onto the cap (Q). Slide bottom cap (V) over threaded rod (N) and thread the finial (W) until tight.

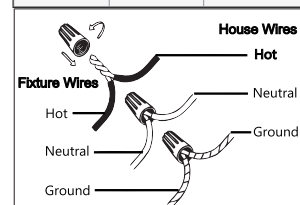
Your installation is complete. Turn on the power and test the fixture.

PENDANT INSTALLATION



How to Identify the Fixture's Wires

Hot	Neutral	Ground
Smooth	Ribbed	Bare Metal, Green, or Green Inner Thread
Black	White	
Black Inner Thread	White Inner Thread	



CLEANING TIPS

Treat the fixture gently! Regular cleaning will reduce the need for deep cleaning. For regular cleaning, turn off the light and wipe down the fixture with a clean lint-free cotton or microfiber cloth. Never spray cleaner directly onto the fixture. For deep cleaning, turn off the light and remove the glass prior to cleaning. Hand wash glass with warm water and mild detergent. Dry with a lint-free or microfiber cloth.